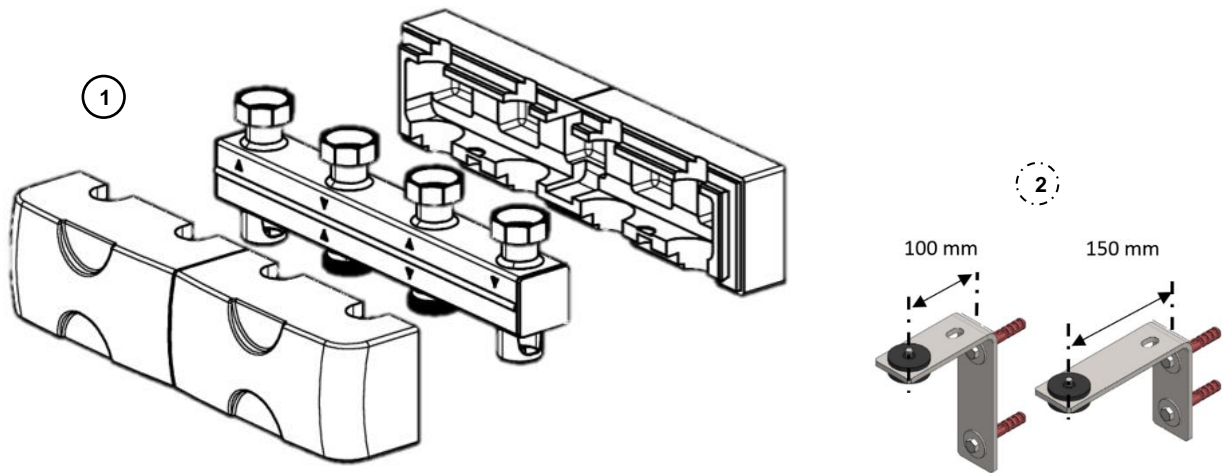


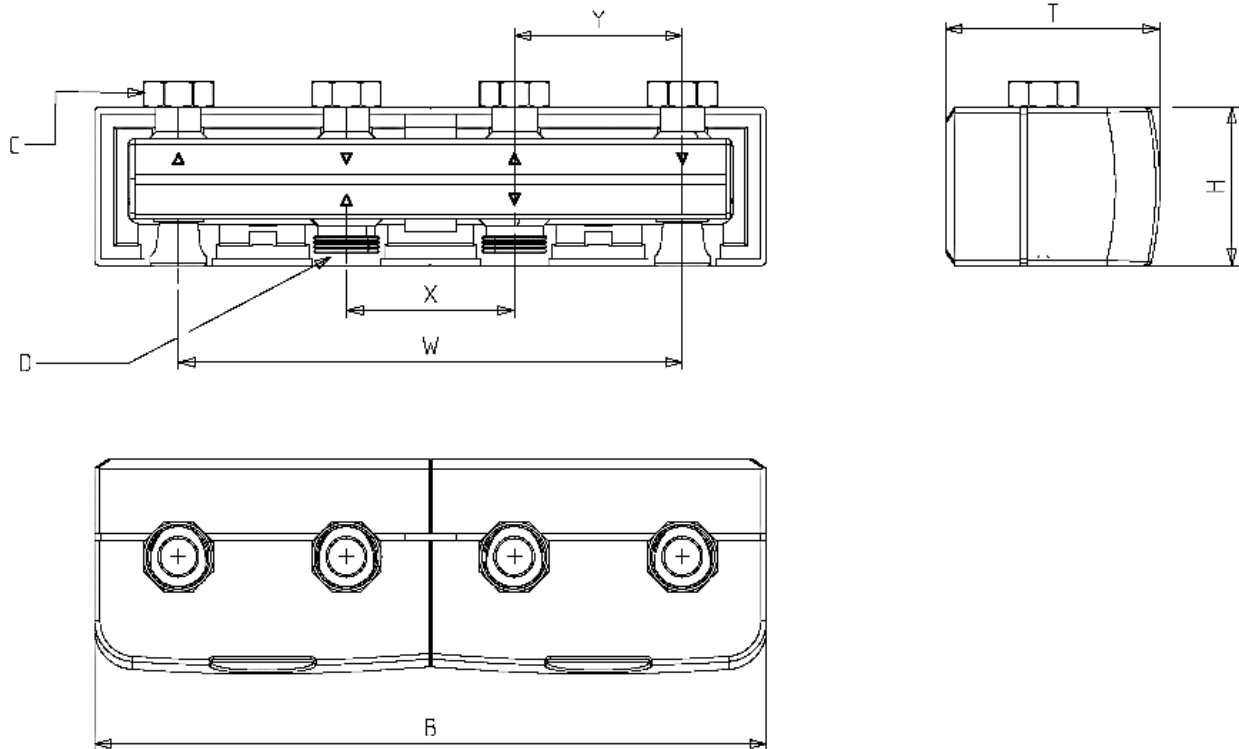
# tubra<sup>®</sup>-Verteilermodul DN 25 (VM 2-5)



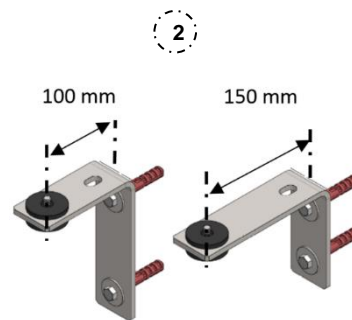
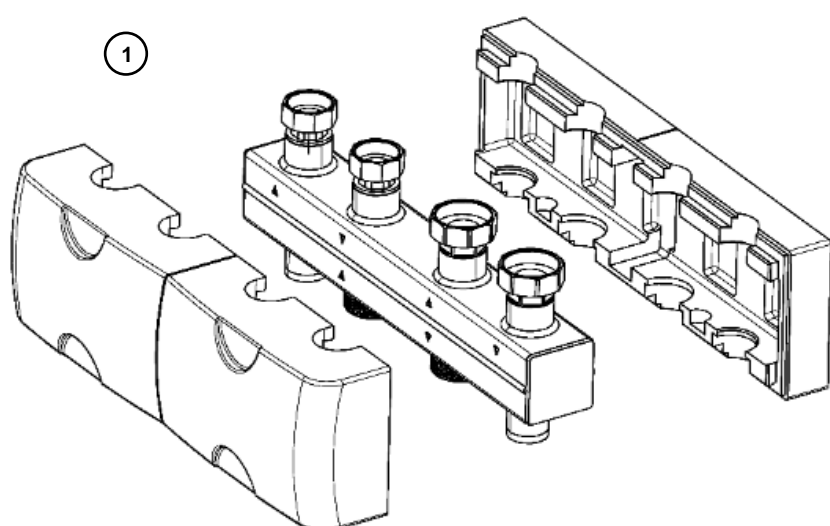
 optional

Pos.	Nr.:	Product	B*H*T	X	Y	W	kW	m <sup>3</sup> /h	C	D
1	657.25.15.00	tubra <sup>®</sup> -VM-2 DN25	500*118*159	125	125	375	115	5	G 1 1/2"	G 1 1/2"
	657.25.35.00	tubra <sup>®</sup> -VM-3 DN25	750*118*159	125	125	375	115	5	G 1 1/2"	G 1 1/2"
	657.25.45.00	tubra <sup>®</sup> -VM-4 DN25	1000*118*159	125	125	625	115	5	G 1 1/2"	G 1 1/2"
	657.25.55.00	tubra <sup>®</sup> -VM-5 DN25	1250*118*159	125	125	625	115	5	G 1 1/2"	G 1 1/2"
2	659.25.32.00	tubra <sup>®</sup> -WH DN25/32	175*125*50	-	-	-	-	-		

P<sub>max</sub>: 6 bar  
T<sub>max</sub>: 110°C



# tubra®-Verteilermodul DN 32 (VM 2-4)



 optional

Pos.	Nr.:	Product	B*H*T	U	X	Y	W	kW	m <sup>3</sup> /h	Z	C	D
1	658.32.25.00	tubra®-VM-2 DN32	570*170*163	162	160	125	410	195	8,5	285	G 1 ¼"	G 2"
	658.32.35.00	tubra®-VM-3 DN32	855*170*163	162	160	125	695	195	8,5	428	G 1 ¼"	G 2"
	658.32.45.00	tubra®-VM-4 DN32	1140*170*163	162	160	125	730	195	8,5	286	G 1 ¼"	G 2"
2	659.25.32.00	tubra®-WH 100/150	175*125*50	-	-	-	-	-	-	-	-	-
3	600.24.10.00	tubra®-Adapt. DN25	G 1 ¼" – 1 ½"	-	-	-	-	-	-	-	-	-
4	600.31.10.00	tubra®-Adapt. DN32	G 1 ¼" – 2"	-	-	-	-	-	-	-	-	-

P<sub>max</sub>: 6 bar  
T<sub>max</sub>: 110°C

